

Description

The P6KE-Q series is designed specifically to protect sensitive electronic equipment from voltage transients induced by lightning and other transient voltage events.

Features

- Halogen free and RoHS compliant
- Low incremental surge resistance
- Excellent clamping capability
- 600W peak pulse power capability at 10/1000 μ s waveform, repetition rate (duty cycle): 0.01%
- Fast response time
- Typical I_R less than 1 μ A above 12V devices
- High Temperature soldering guaranteed: 265 $^{\circ}$ C/10 seconds/.375", (9.5mm) lead length, 5lbs (2.3kg) tension
- Plastic package has underwriters laboratory flammability 94V-0
- Meet MSL level1, per J-STD-020
- IEC-61000-4-2 ESD 30kV(Air), 30kV (Contact)
- Unit Weight: 0.42g
- AEC-Q101 Qualified



Applications

TVS components are ideal for the protection of I/O Interfaces, VCC bus and other vulnerable circuits used in telecom, computer, Industrial and consumer electronic applications.

Maximum Ratings and Characteristics ($T_A=25^{\circ}$ C)

Rating	Symbol	Value
Peak pulse power dissipation at 10/1000 μ s waveform (Note1, Fig.1)	P_{PPM}	600W
Peak pulse current of at 10/1000 μ s waveform (Note 1, Fig.3)	I_{PPM}	See Table(A)
Steady state power dissipation at $T_L=75^{\circ}$ C (Fig.5)	$P_{M(AV)}$	5.0W
Maximum Instantaneous Forward Voltage at 50A for Unidirectional Only	V_F	3.5V/5.0V
Peak forward surge current, 8.3ms single half sine-wave superimposed on rated load, (JEDEC Method) (Note2, Fig.6)	I_{FSM}	100A
Operating junction and Storage Temperature Ranges	T_J, T_{STG}	-55 $^{\circ}$ C to +150 $^{\circ}$ C
Typical thermal resistance junction to lead	$R_{\theta JL}$	20 $^{\circ}$ C/W
Typical thermal resistance junction to ambient	$R_{\theta JA}$	75 $^{\circ}$ C/W

Notes:1. Non-repetitive current pulse, per Fig.3 and derating above $T_A=25^{\circ}$ C per Fig.2.

2. 8.3ms single half sine-wave or equivalent square wave, duty cycle=4 pulses per minutes maximum.

3. $V_F < 3.5V$ for single die parts and $V_F < 5.0V$ for stacked-die parts.

Electrical Characteristics ($T_A=25^{\circ}\text{C}$)

Part Number		Reverse Stand-Off Voltage	Breakdown Voltage @ I_T		Test Current	Maximum Clamping Voltage @ I_{PP}	Peak Pulse Current	Reverse Leakage @ V_R
Uni.	Bi.	$V_R(V)$	$V_{B\ Min.}(V)$	$V_{B\ Max.}(V)$	$I_T(mA)$	$V_C(V)$	$I_{PP}(A)$	$I_R(\mu A)$
P6KE6.8A-Q	P6KE6.8CA-Q	5.80	6.45	7.14	10	10.5	58.1	1000
P6KE7.5A-Q	P6KE7.5CA-Q	6.40	7.13	7.88	10	11.3	54.0	500
P6KE8.2A-Q	P6KE8.2CA-Q	7.02	7.79	8.61	10	12.1	50.4	200
P6KE9.1A-Q	P6KE9.1CA-Q	7.78	8.65	9.55	1	13.4	45.5	50
P6KE10A-Q	P6KE10CA-Q	8.55	9.50	10.50	1	14.5	42.1	10
P6KE11A-Q	P6KE11CA-Q	9.40	10.50	11.60	1	15.6	39.1	5
P6KE12A-Q	P6KE12CA-Q	10.20	11.40	12.60	1	16.7	36.5	5
P6KE13A-Q	P6KE13CA-Q	11.10	12.40	13.70	1	18.2	33.5	1
P6KE15A-Q	P6KE15CA-Q	12.80	14.30	15.80	1	21.2	28.8	1
P6KE16A-Q	P6KE16CA-Q	13.60	15.20	16.80	1	22.5	27.1	1
P6KE18A-Q	P6KE18CA-Q	15.30	17.10	18.90	1	25.2	24.2	1
P6KE20A-Q	P6KE20CA-Q	17.10	19.00	21.00	1	27.7	22.0	1
P6KE22A-Q	P6KE22CA-Q	18.80	20.90	23.10	1	30.6	19.9	1
P6KE24A-Q	P6KE24CA-Q	20.50	22.80	25.20	1	33.2	18.4	1
P6KE27A-Q	P6KE27CA-Q	23.10	25.70	28.40	1	37.5	16.3	1
P6KE30A-Q	P6KE30CA-Q	25.60	28.50	31.50	1	41.4	14.7	1
P6KE33A-Q	P6KE33CA-Q	28.20	31.40	34.70	1	45.7	13.3	1
P6KE36A-Q	P6KE36CA-Q	30.80	34.20	37.80	1	49.9	12.2	1
P6KE39A-Q	P6KE39CA-Q	33.30	37.10	41.00	1	53.9	11.3	1
P6KE43A-Q	P6KE43CA-Q	36.80	40.90	45.20	1	59.3	10.3	1
P6KE47A-Q	P6KE47CA-Q	40.20	44.70	49.40	1	64.8	9.4	1
P6KE51A-Q	P6KE51CA-Q	43.60	48.50	53.60	1	70.1	8.7	1
P6KE56A-Q	P6KE56CA-Q	47.80	53.20	58.80	1	77.0	7.9	1
P6KE62A-Q	P6KE62CA-Q	53.00	58.90	65.10	1	85.0	7.2	1
P6KE68A-Q	P6KE68CA-Q	58.10	64.60	71.40	1	92.0	6.6	1

Electrical Characteristics (TA=25°C)

Part Number		Reverse Stand-Off Voltage	Breakdown Voltage @I _T		Test Current	Maximum Clamping Voltage @I _{PP}	Peak Pulse Current	Reverse Leakage @V _R
Uni.	Bi.	V _R (V)	V _{B Min.} (V)	V _{B Max.} (V)	I _T (mA)	V _C (V)	I _{PP} (A)	I _R (μA)
P6KE75A-Q	P6KE75CA-Q	64.10	71.30	78.80	1	103.0	5.9	1
P6KE82A-Q	P6KE82CA-Q	70.10	77.90	86.10	1	113.0	5.4	1
P6KE91A-Q	P6KE91CA-Q	77.80	86.50	95.50	1	125.0	4.9	1
P6KE100A-Q	P6KE100CA-Q	85.50	95.00	105.0	1	137.0	4.5	1
P6KE110A-Q	P6KE110CA-Q	94.00	105.0	116.0	1	152.0	4.0	1
P6KE120A-Q	P6KE120CA-Q	102.0	114.0	126.0	1	165.0	3.7	1
P6KE130A-Q	P6KE130CA-Q	111.0	124.0	137.0	1	179.0	3.4	1
P6KE150A-Q	P6KE150CA-Q	128.0	143.0	158.0	1	207.0	2.9	1
P6KE160A-Q	P6KE160CA-Q	136.0	152.0	168.0	1	219.0	2.8	1
P6KE170A-Q	P6KE170CA-Q	145.0	162.0	179.0	1	234.0	2.6	1
P6KE180A-Q	P6KE180CA-Q	154.0	171.0	189.0	1	246.0	2.5	1
P6KE200A-Q	P6KE200CA-Q	171.0	190.0	210.0	1	274.0	2.2	1
P6KE220A-Q	P6KE220CA-Q	185.0	209.0	231.0	1	328.0	1.9	1
P6KE250A-Q	P6KE250CA-Q	214.0	237.0	263.0	1	344.0	1.8	1
P6KE300A-Q	P6KE300CA-Q	256.0	285.0	315.0	1	414.0	1.5	1
P6KE350A-Q	P6KE350CA-Q	300.0	332.0	368.0	1	482.0	1.3	1
P6KE400A-Q	P6KE400CA-Q	342.0	380.0	420.0	1	548.0	1.1	1
P6KE440A-Q	P6KE440CA-Q	376.0	418.0	462.0	1	602.0	1.0	1
P6KE480A-Q	P6KE480CA-Q	408.0	456.0	504.0	1	658.0	0.9	1
P6KE510A-Q	P6KE510CA-Q	434.0	485.0	535.0	1	698.0	0.9	1
P6KE530A-Q	P6KE530CA-Q	450.0	503.5	556.5	1	725.0	0.8	1
P6KE540A-Q	P6KE540CA-Q	459.0	513.0	567.0	1	740.0	0.8	1
P6KE550A-Q	P6KE550CA-Q	467.0	522.5	577.5	1	760.0	0.8	1
P6KE600A-Q	P6KE600CA-Q	510.0	575.2	628.4	1	828.0	0.75	1

Ratings and Characteristic Curves ($T_A=25^\circ\text{C}$)

Figure 1. Peak Pulse Power Rating Curve

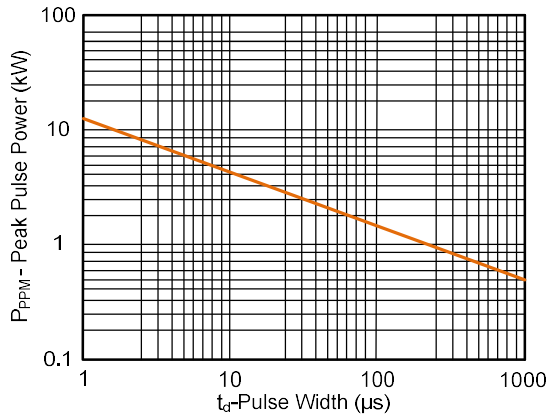


Figure 2. Pulse Derating Curve

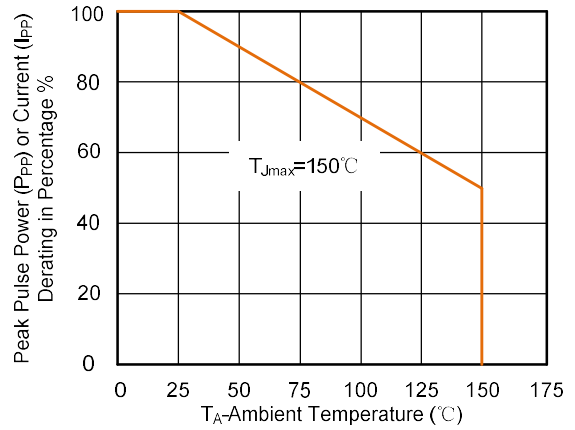


Figure 3. Pulse Waveform

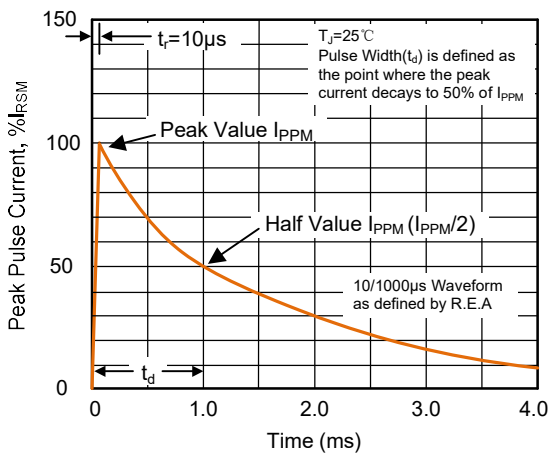


Figure 4. Typical Junction Capacitance

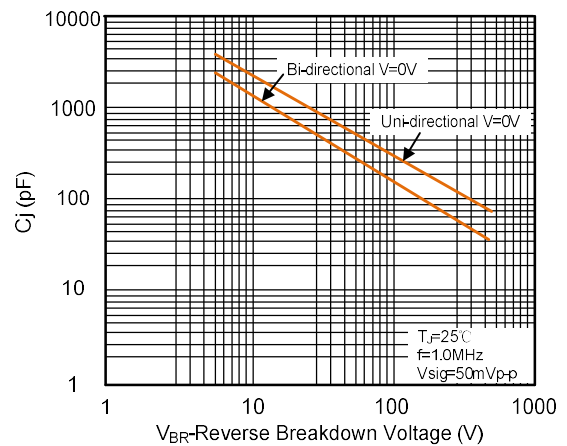


Figure 5. Steady State Power Dissipation Derating Curve

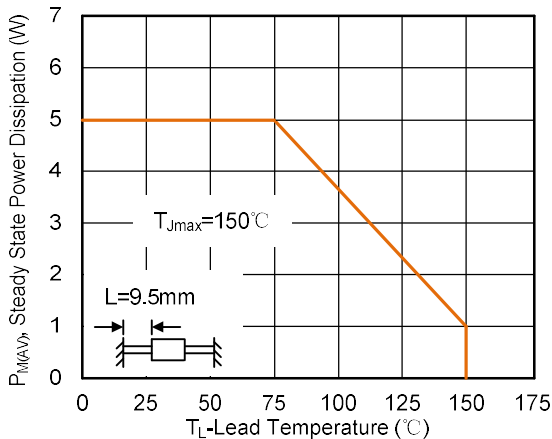
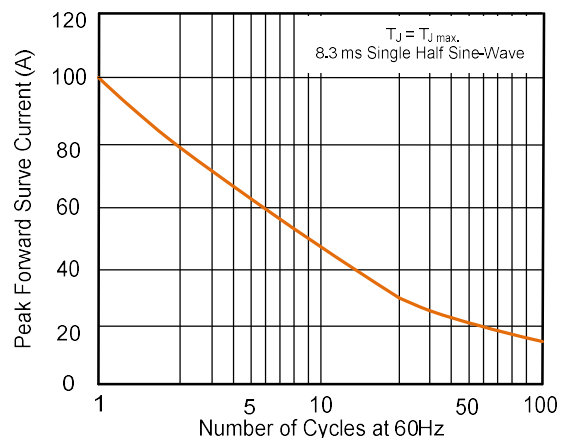
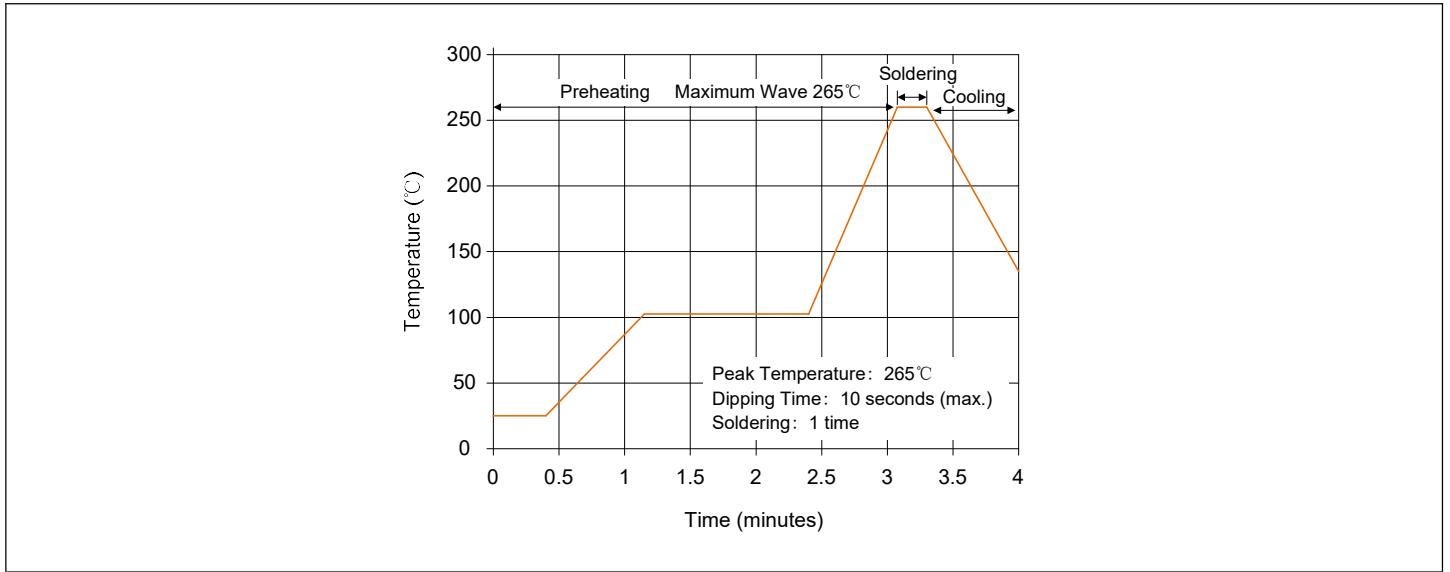


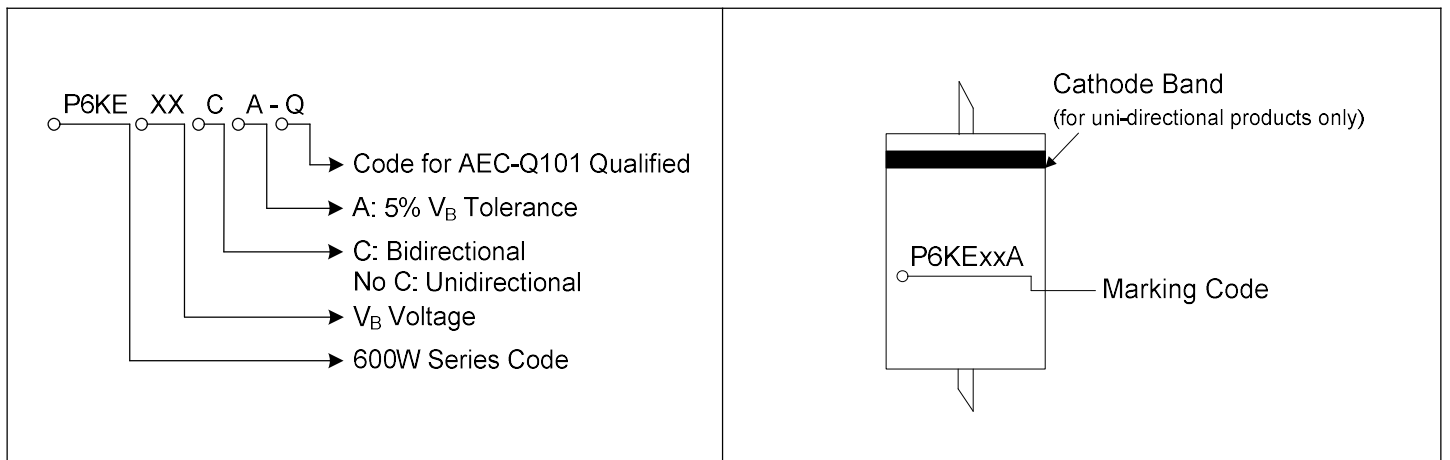
Figure 6. Maximum Non-Repetitive Forward Surge Current Uni-Directional Only



Wave Soldering



Part Number Code and Marking Code



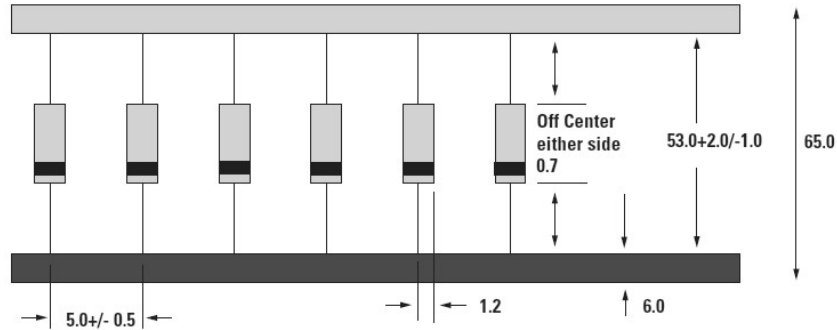
Dimensions (DO-204AC/DO-15)

The diagram shows the dimensions of the diode: A (lead length), B (body length), C (lead diameter), and d (body diameter).

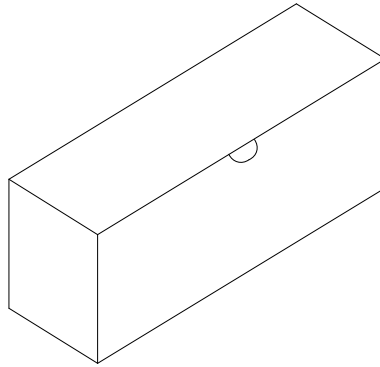
Symbol	Millimeters		Inches	
	Min.	Max.	Min.	Max.
A	25.40	-	1.000	-
B	5.80	7.60	0.230	0.300
C	2.60	3.60	0.104	0.140
d	0.71	0.86	0.028	0.034

Packaging Specification

Tape

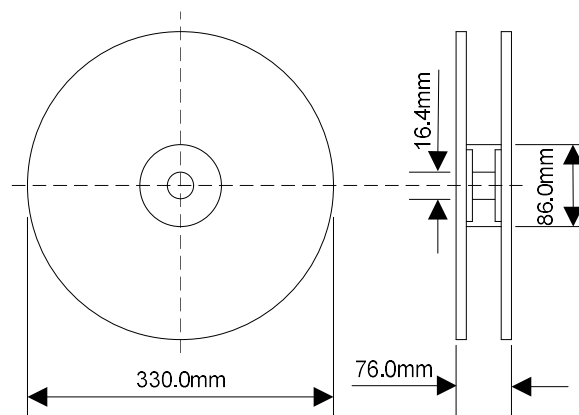


Box



Quantity: 2000pcs/box

Reel



Quantity: 4000pcs/reel